

4 GSCH V3

Single-Phase



General data

Maximum power*:	3 kW (3 kVA)	Voltage:	230 V
Prime Power**:	2,7 kW	Amperage:	13 A
Frequency:	50 Hz	Phases:	1

Dimensions and weights

Total length without canopy:	-	Total length with canopy:	590 mm
Total width without canopy:	-	Total width with canopy:	406 mm
Total height without canopy:	-	Total height with canopy:	515 mm
Dry weight without canopy:	-	Dry weight with canopy:	96 Kg

Engine

Base engine manufacturer:	Yanmar	Diameter:	78 mm (3,07 in)
Model Solé Diesel:	L70N5	Stroke:	67 mm (2,64 in)
Type:	4 stroke	Compression ratio:	20:1
Engine RPM:	3000	Injection system:	Mechanical and direct
Number of cylinders:	1	Intake system:	Naturally aspirated
Total displacement:	320 cc	Flywheel housing:	-
Oil type:	SAE 15W40	Coolant capacity:	1,2 L (0,32 gal)
Oil capacity:	1,1 L (0,29 gal)	Flywheel:	-
Power:	4,5 kW (6,12 CV)	Coolant flow rate:	-
Salt water flow rate:	20 l/min (5,28 gal/m)	Intake air flow rate:	0,4 m3/m

Rating conditions according to ISO 3046 (100 kPa barometric pressure, 30 % relative humidity and 25 °C (77 ° F))

* Maximum output power: maximum power supplied by the genset at full load

** Prime Power: rated power according to ISO 3046 and ISO 8528-1. 10 % overload capacity one hour in twelve hours.

1 kW \cong 1,36 CV 1 kW \cong 1,36 HP (metric) 1 kW \cong 1,36 CH

Fuel system details

Consumption 25%:	0,4 L/H (0,11 Gal/H)	Fuel type:	Diesel
Consumption 50%:	0,7 L/H (0,18 Gal/H)	Fuel standards:	Fueloil diesel ASTM
Consumption 75%:	1,1 L/H (0,29 Gal/H)	Injection pump type:	Individual
Consumption 100%:	1,3 L/H (0,34 Gal/H)	Governor type:	Mechanical

Electrical system

Battery voltage:	12 V	Stop solenoid type:	ETS
Starter motor:	1,2 kW	Alternator:	-

Installation details

Exhaust hose inner diameter:	40 mm (1,57 in)	Maximum fuel lift height:	1 m (3,28 ft)
Sea water hose inner diameter:	13 mm (0,51 in)	Maximum raw water lift height:	-
Fuel feeding hose inner diameter:	8 mm (0,31 in)	Maximum sea water temperature:	32 °C (89,6 °F)
Fuel return hose inner diameter:	8 mm (0,31 in)	Maximum installation angle***:	20 °
Minimum battery capacity:	12 V 60 A/h		

Alternator details

Brand:	MA4	Cos φ:	1
Model:	VO90	Tropicalized:	S
Regulator type:	CAPACITOR	Excitation system:	BRUSHLESS
Number of poles:	2	Voltage regulation accuracy**:	1
Isolation type*:	-	Standards:	EN60034-1, IEC 60034-1, ISO 8528-3
IP protection*:	-	Alternator type:	Synchronous

Optional accessories

Siphon break kit mandatory if generator is below waterline	Fuel filter/water separator
Service/Cruise Kits: fuel and oil filters, raw water pump, impeller, alternator belt,...	Gas/Water Separator
Exhaust System	Fuel Hose
Water Filters	Exhaust Hose
Sea water cock	Raw water hose
Welcome Kit	



* Other protections available

** With load from 0 to 100%, speed variation from -2% up to +5%, power factor 0,8 linear and balanced load.

*** In all directions

For other requirements please contact the Sales Dept.

SCO 5 Panel



General Description

- Graphic LCD with light Display, 128 x 64 pixels
- 3 LED indicators
- Marine genset measures (see display information)
- Marine genset protections (see alarm management)
- Running hour indicator
- Type B USB for programming
- Programming from the same panel
- Universal Interface
- Preheating function
- D+ preexcitation terminal
- CAN bus output with SAEJ1939 protocol
- 2 multipurpose timers
- Dimensions 118x 108 x 43 mm
- Weight 246 g

Alarm Management

Shutdown (SD)

- High coolant temperature
- Low oil pressure
- Overspeed
- Overload*
- Short circuit*
- Overcurrent*
- Over/Under voltage
- Over/Under frequency
- Emergency stop

Warnings (WRN)

- Over/Under battery voltage
- Maintenance request

Sensor Fails (FLS)

Function Description

- OFF Mode
- MAN Mode (manual start/stop engine)
- AUT Mode (auto start/stop engine)

Power Supply

- Voltage supply 12/24 DC with fuse protection
- Consumption 60/35 mA

Operating Conditions

- Operating temperature -20+70 °C
- Humidity 95 % Without condensation
- Front Panel Protection IP65

Standard Conformity

- Low Voltage Directive EN 61010-1:95+A1:97
- Electromagnetic EN 50081-1:94, EN 50081-2:96
- Compatibility EN 50082-1:99, EN 50082-2:97

Display Information

Measurement

- L1-L3 Voltage (V), Frequency (Hz), Oil Pressure, (bar)
- Coolant Temperature (°C), Battery, Voltage (V), RPM
- Active Power* (kW), Apparent, Power* (kVA), Current* (A), PF*

History log

Optional Equipment

IP 65 Box Kit

- Panel built into an electrical box with IP65 protection
- Kit with emergency shutoff, switch and alarm.

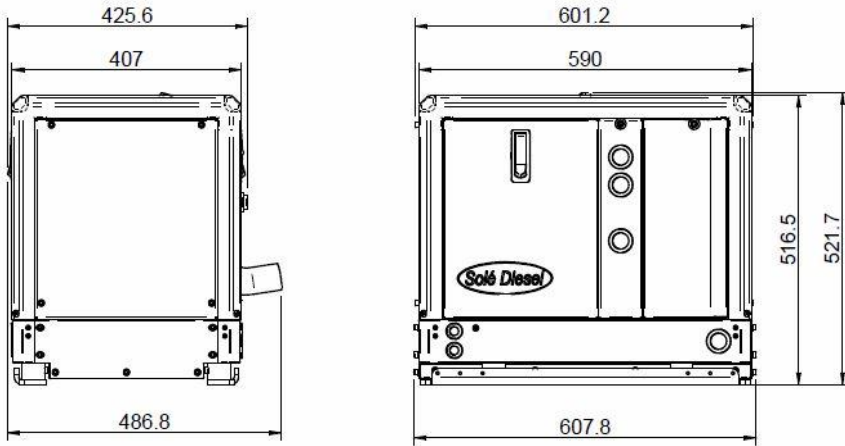
Current transformers

It allows the following measures:

- Current (A), Active Power (kW), Apparent power (kVA) and PF
- Isolated transformers to the mass
- Voltage transformation unit to separate principal voltage
- Controller with (1:1) voltage rating

* The specified function needs the current transformers (Optional Equipment) for showing the information in panel display.

Dimensions



Authorized dealer

www.solediesel.com
info@solediesel.com

Detailed drawings, brochures and manuals are available on the web [solediesel.com](http://www.solediesel.com). All rights reserved. Technical specifications, data and presentation are subjected to variations, changes and updates without prior notice. Non-contractual information.