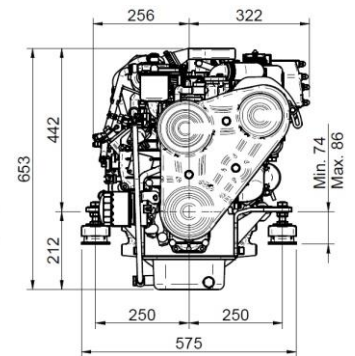
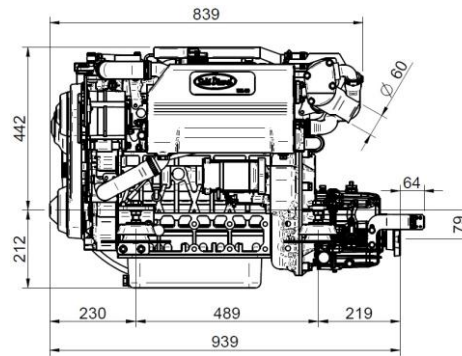


MARINE ENGINE

SK-60

4 cylinders in line 60 HP (m) (44 kW) 2700 RPM



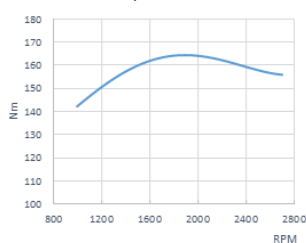
SK-60 Engine TMC-60P 2.00:1 Gbox

Technical Specifications

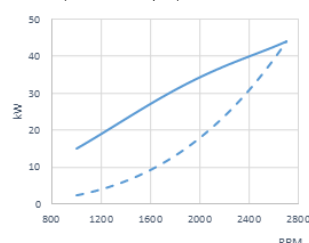
Base engine manufacturer	Kubota
Type	Diesel, 4 stroke
Number of cylinders	4, in line
Intake system	Turbocharged
Bore x Stroke	87 mm x 102,4 mm (3,43 in x 4,03 in)
Total displacement	2434 cc
Compression ratio	22,5:1
Intermittent power (ISO3046/1)	60 HP (m) (44 kW)
Continuous power	53,9 HP (m) (39,6 kW)
RPM	2700
Injection system	Mechanical and indirect
Starter motor	12 V (2 kW)
Alternator	120 A (12 V)
Maximum operating angle	20°
Rotation (viewed from flywheel side)	Counterclockwise
Cooling system	Sea water heat exchanger and coolant closed circuit
Dry weight without gearbox	218 Kg (480,6 lb)
Sea water hose diameter	32 mm (1,26 in)
Fuel feeding hose diameter	8 mm (0,31 in)
Fuel return hose diameter	5 mm (0,2 in)
Exhaust hose diameter	60 mm (2,36 in)
Certifications	-
Emission compliance	EU: RCD II (DIR. 2013/53/EU)

Performance Curves

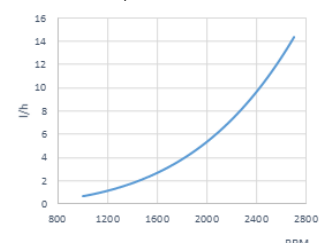
Crankshaft torque



Power (ISO 3046/1)



Fuel consumption



1 kW \cong 1,36 CV 1 kW \cong 1,36 HP (metric) 1 kW \cong 1,36 CH

Engine Power

Propeller Power

Panel



Panel SVT 20 Standard

- _____ Tachometer including hour meter
- _____ Coolant temperature gauge
- _____ Pre heating pilot light
- _____ Low battery alarm
- _____ High temperature alarm
- _____ Low oil pressure alarm
- _____ 5 Positions key
- _____ Dimentions: 205 x 155 mm



Panel SVT 30 Optional

- _____ Tachometer including hour meter
- _____ Coolant temperature gauge
- _____ Pre heating pilot light
- _____ Low battery alarm
- _____ High temperature alarm
- _____ Low oil pressure alarm
- _____ 5 Positions key
- _____ Oil pressure gauge
- _____ Battery voltage indicator
- _____ Dimentions: 205 x 155 mm

Accessory

Scope of Supply

- _____ Instrument panel SVT 20
- _____ 4 m electrical extension lead
- _____ Silentblocks
- _____ Oil extraction pump
- _____ Owner's manual and spare parts manual

Optional Equipment

- _____ SVT 30 panel
- _____ Twin instrument panel installation
- _____ Twin alternator
- _____ Earth isolated electrical system
- _____ Dry exhaust system
- _____ Keel cooling
- _____ Power takeoff shaft or pulley
- _____ Heater inlet
- _____ Drivetrain: propeller, shaft, sterntube
- _____ Water and fuel filters
- _____ Water, exhaust and diesel fuel hoses

Gearbox

Model	Type	Down angle	Reduction Ratio (Light Duty)	Reduction Ratio (Cont. Duty)	Engine Weight with Gearbox
TM-345	Hydraulic	0°	1.54:1-2.00:1-2.47:1	1.54:1-2.00:1	247 Kg (544 Lbs)
TM-345A	Hydraulic	8°	1.54:1-2.00:1-2.47:1	1.54:1-2.00:1	247 Kg (544 Lbs)
TM-93	Hydraulic	0°	1.51:1-2.09:1-2.40:1-2.77:1	1.51:1-2.09:1-2.40:1-2.77:1	275 Kg (606 Lbs)
TM-93A	Hydraulic	8°	1.51:1-2.09:1-2.40:1	1.51:1-2.09:1-2.40:1	275 Kg (606 Lbs)
TMC-260	Mechanical	0°	1.54:1-2.00:1-2.47:1-2.88:1	1.54:1-2.00:1	240 Kg (529 Lbs)
TMC-60P	Mechanical	0°	1.55:1	-	235 Kg (518 Lbs)
ZF 68 IV	Hydraulic	12°	1.56:1-2.00:1	1.56:1-2.00:1	284 Kg (626 Lbs)

Authorized Dealer

www.solediesel.com
info@solediesel.com

Detailed drawings, brochures and manuals are available on the web solediesel.com. All rights reserved. Technical specifications, data and presentation are subjected to variations, changes and updates without prior notice. Non-contractual information.

